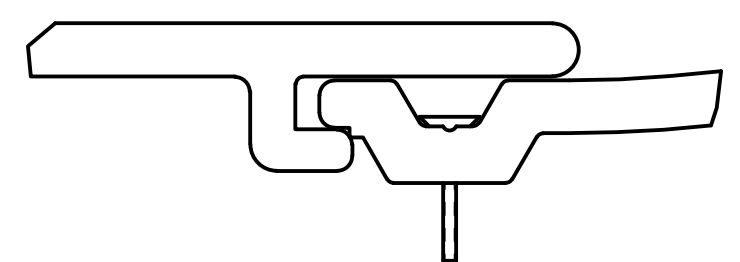
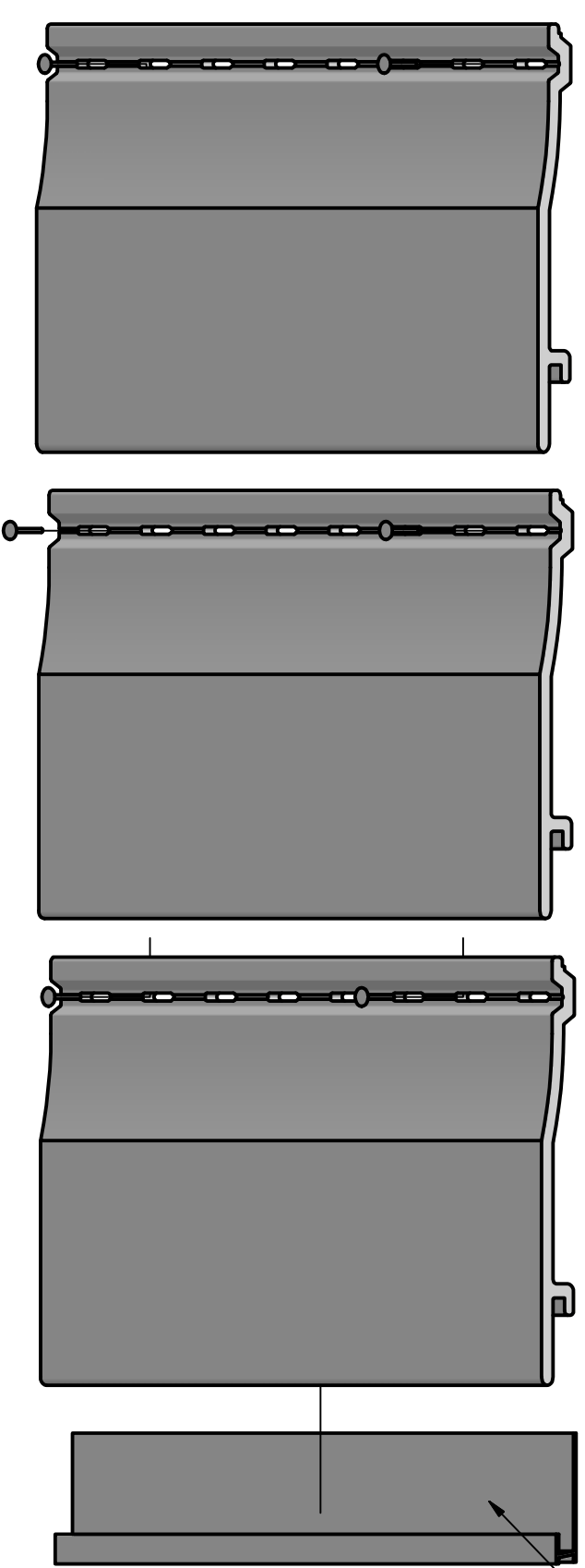
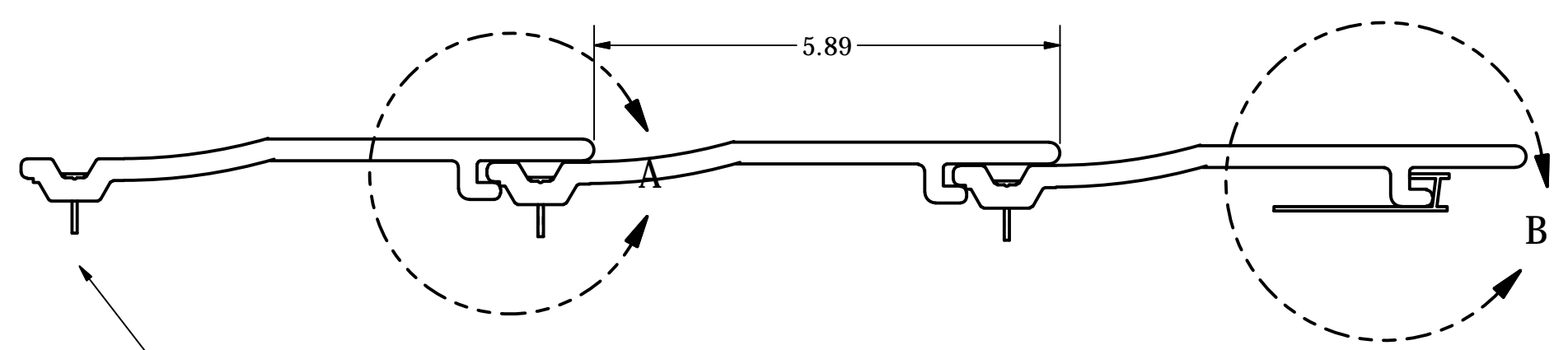


4 3 2 1

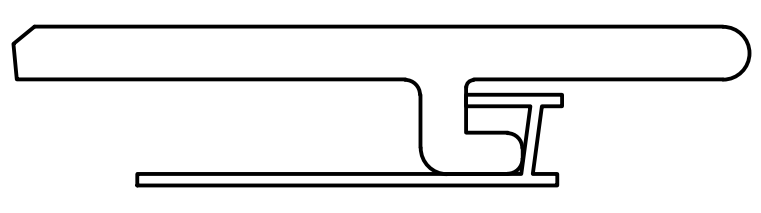
D
C
B
A



DETAIL A
SCALE 1 : 1



* MUST USE CORROSION RESISTANT FASTENERS *
 Recommended 1 fastener per foot
 * DO NOT OVER TORQUE *



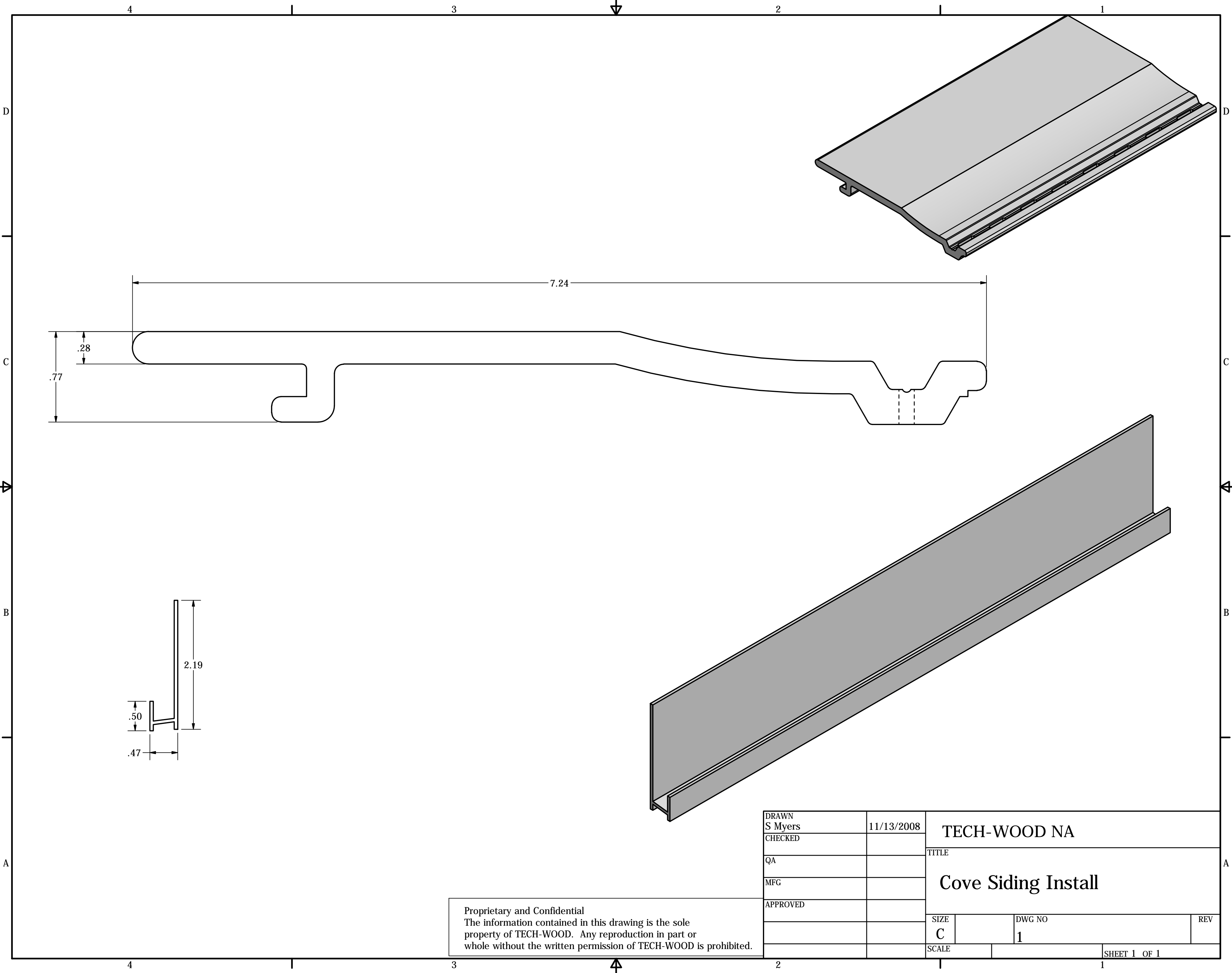
DETAIL B
SCALE 1 : 1

ALUMINUM STARTER STRIP
 * MUST USE CORROSION RESISTANT FASTENERS *
 Recommended drill and screw every 16" O.C.

Proprietary and Confidential
 The information contained in this drawing is the sole property of TECH-WOOD. Any reproduction in part or in whole without the written permission of TECH-WOOD is prohibited

DRAWN S Myers	11/13/2008	TECH-WOOD NA		
CHECKED		TITLE		
QA		Cove Siding Install		
MFG		Tech page		
APPROVED		SIZE C	DWG NO 2	REV
		SCALE		SHEET 1 OF 1

4 3 2 1



Proprietary and Confidential
 The information contained in this drawing is the sole property of TECH-WOOD. Any reproduction in part or whole without the written permission of TECH-WOOD is prohibited.

DRAWN S Myers	11/13/2008	TECH-WOOD NA		
CHECKED		TITLE		
QA		Cove Siding Install		
MFG		SIZE C	DWG NO 1	REV
APPROVED		SCALE	SHEET 1 OF 1	