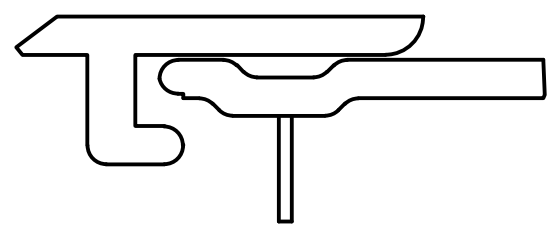
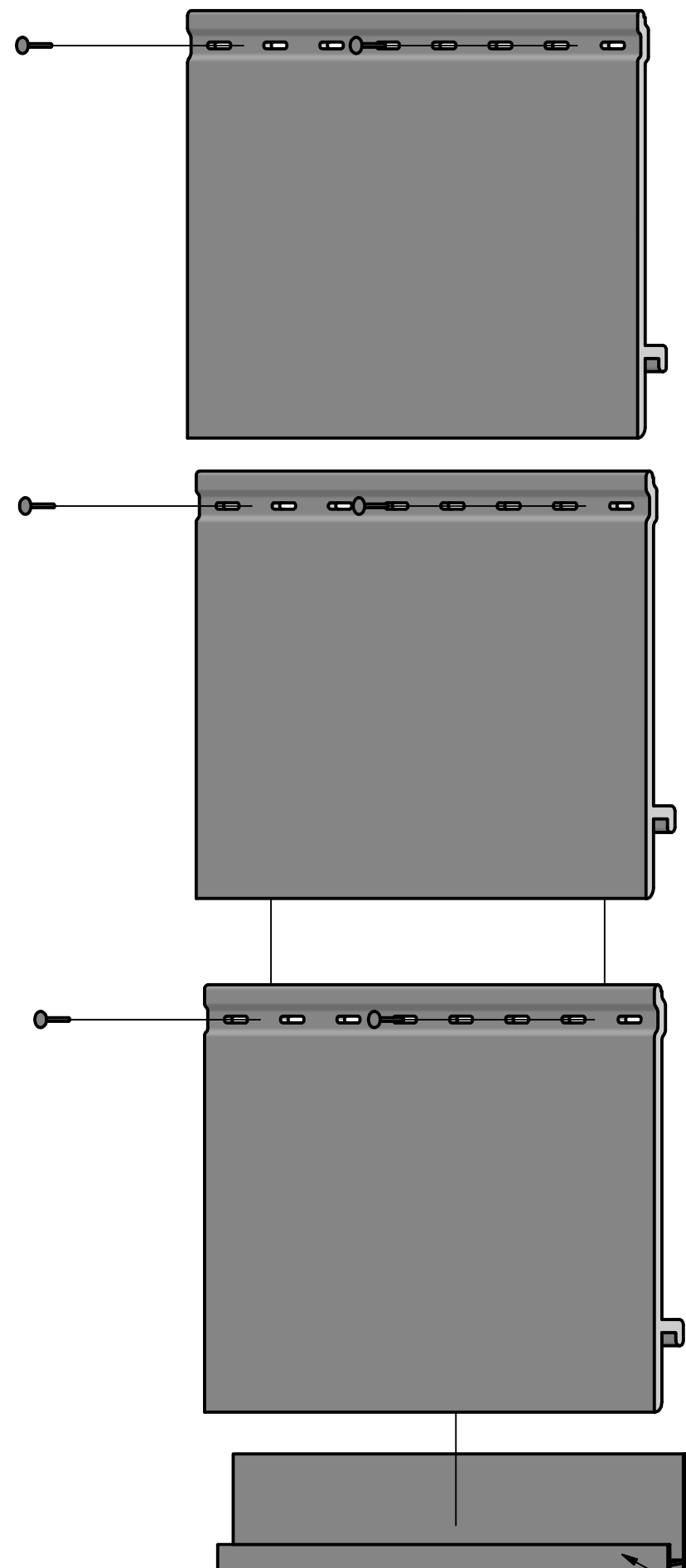


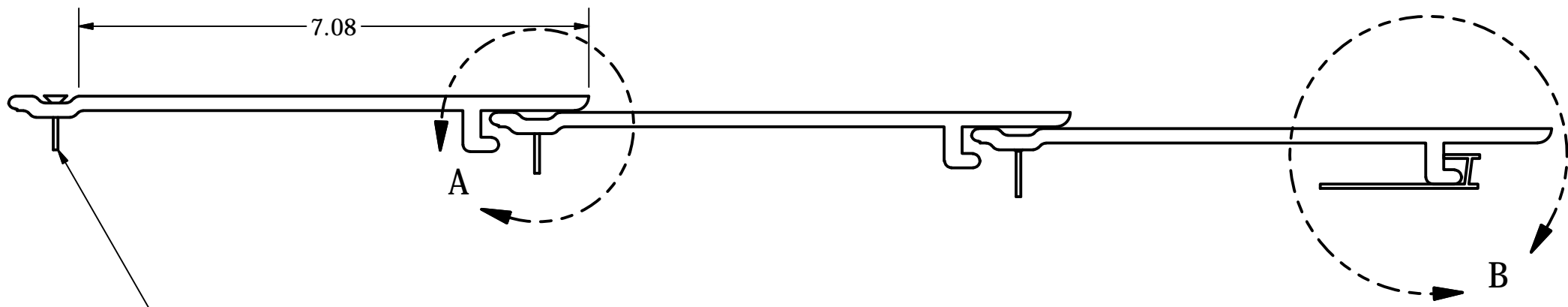
DRAWN S Myers	11/6/2008	TECH-WOOD NA		
CHECKED		TITLE		
QA		Bevel Siding Install		
MFG		SIZE	DWG NO	REV
APPROVED		C	1	
		SCALE	SHEET 1 OF 1	

4 3 2 1

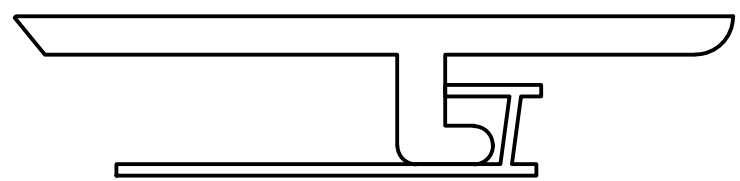
D
C
B
A



DETAIL A
SCALE 1 : 1



* MUST USE CORROSION RESISTANT FASTENERS *
 Recommended 1 fastener per foot.
 * DO NOT OVER TORQUE *



DETAIL B
SCALE 1 : 1

ALUMINUM STARTER STRIP
 * MUST USE CORROSION RESISTANT FASTENERS *
 Recommended Drill and screw every 16" O.C.

DRAWN S Myers	11/6/2008	TECH-WOOD NA		
CHECKED		TITLE		
QA		Bevel Siding Install		
MFG		SIZE	DWG NO	REV
APPROVED		C	2	
		SCALE	SHEET 1 OF 1	

4 3 2 1