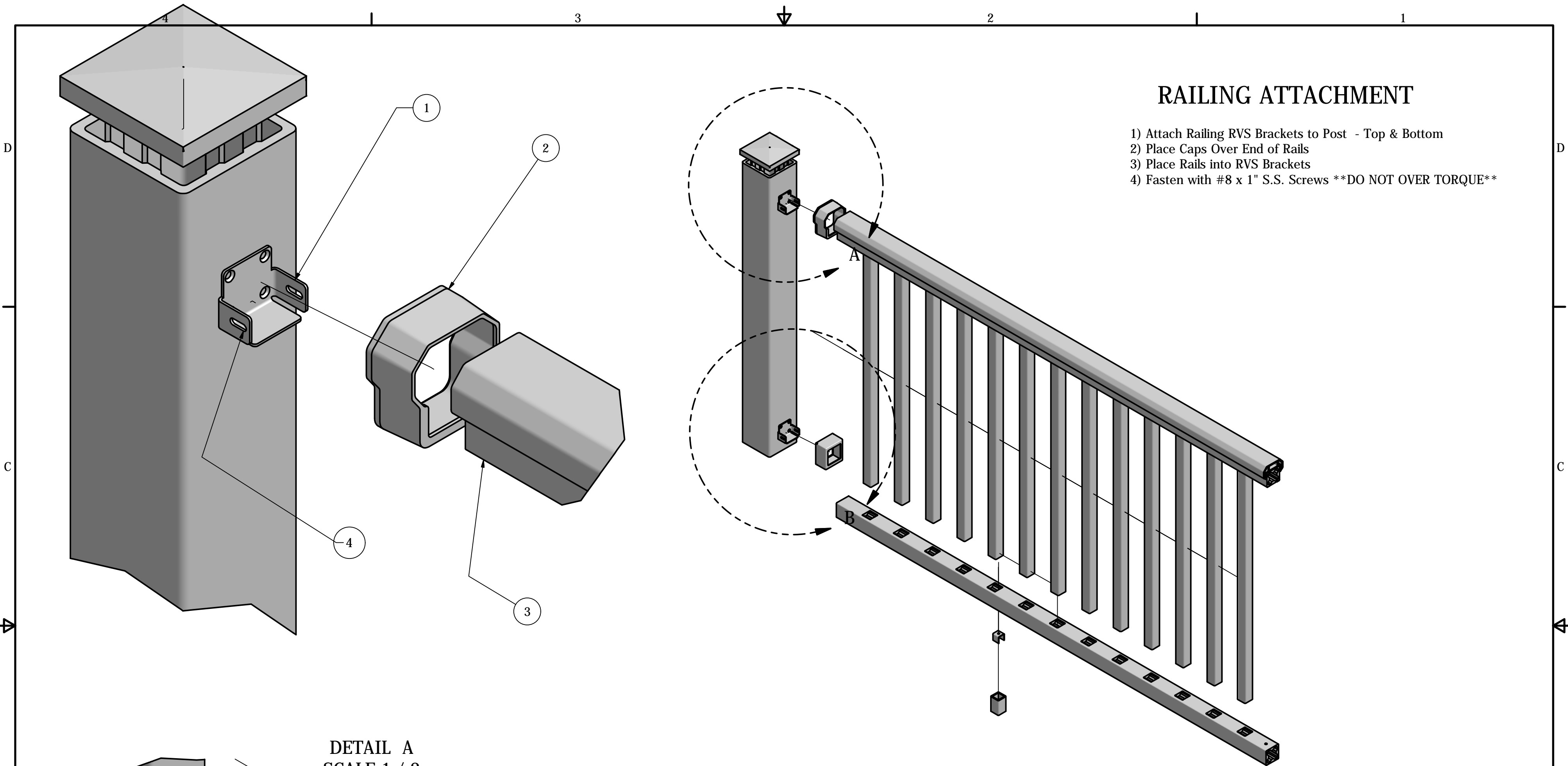
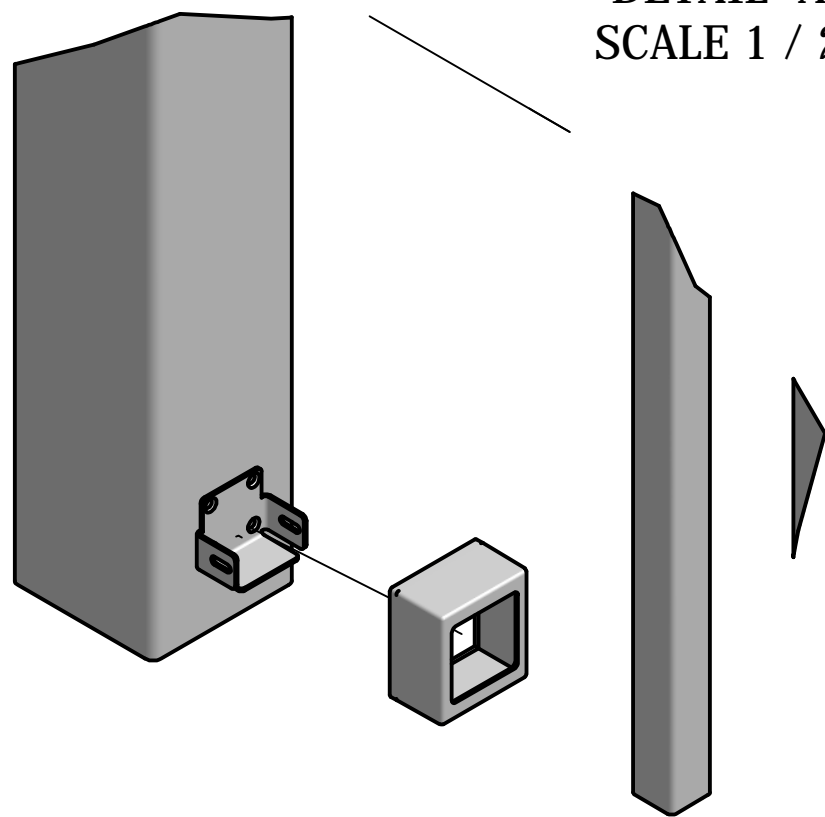


# RAILING ATTACHMENT

- 1) Attach Railing RVS Brackets to Post - Top & Bottom
- 2) Place Caps Over End of Rails
- 3) Place Rails into RVS Brackets
- 4) Fasten with #8 x 1" S.S. Screws **\*\*DO NOT OVER TORQUE\*\***



DETAIL A  
SCALE 1 / 2



DETAIL B  
SCALE 0.24 : 1



**\*INSTALLATION NOTE: \***  
STRONGEST WHEN PLACED OVER PRESSURE TREATED 4X4 ATTACHED TO BOX FRAME OF DECK

DRAWN stephen	11/20/2008	TECH-WOOD NA		
CHECKED		TITLE		
QA		RAILING ATTACHMENT		
MFG		SIZE	DWG NO	REV
APPROVED		C	RAILING ATTACHMENT 1	
		SCALE	SHEET 1 OF 1	