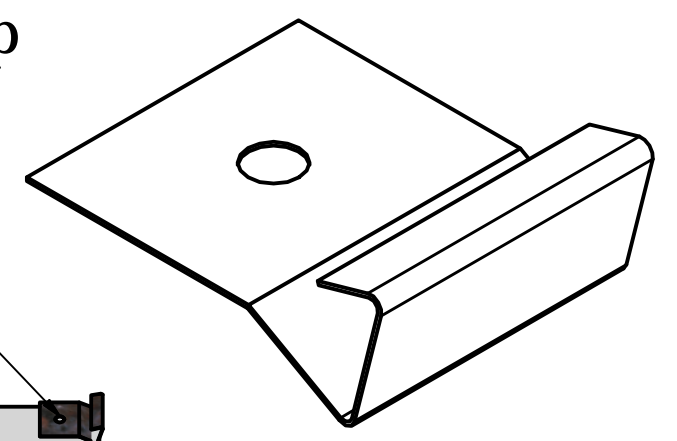


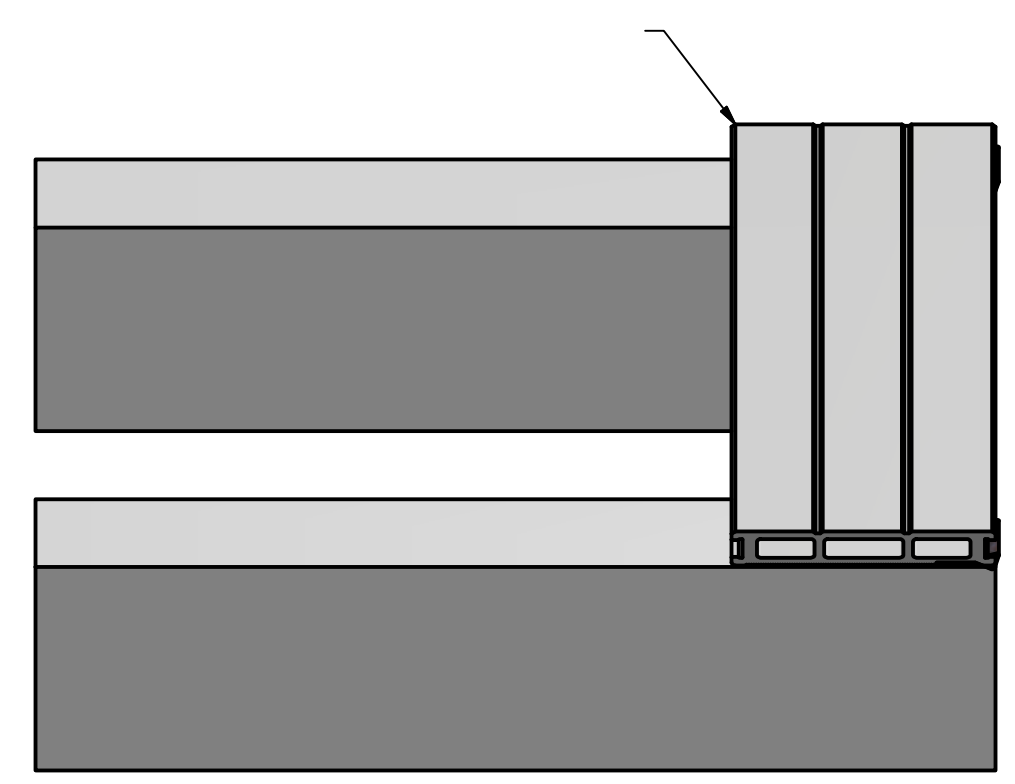
1

Attach Decking Starter Clip
With #8x1.25" SS Screw



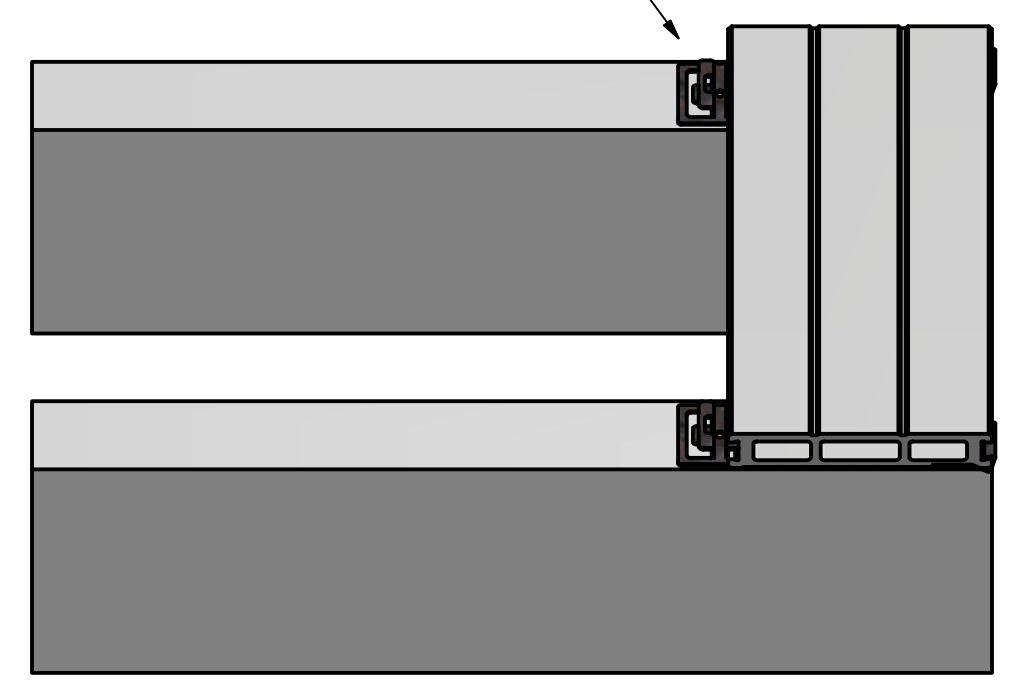
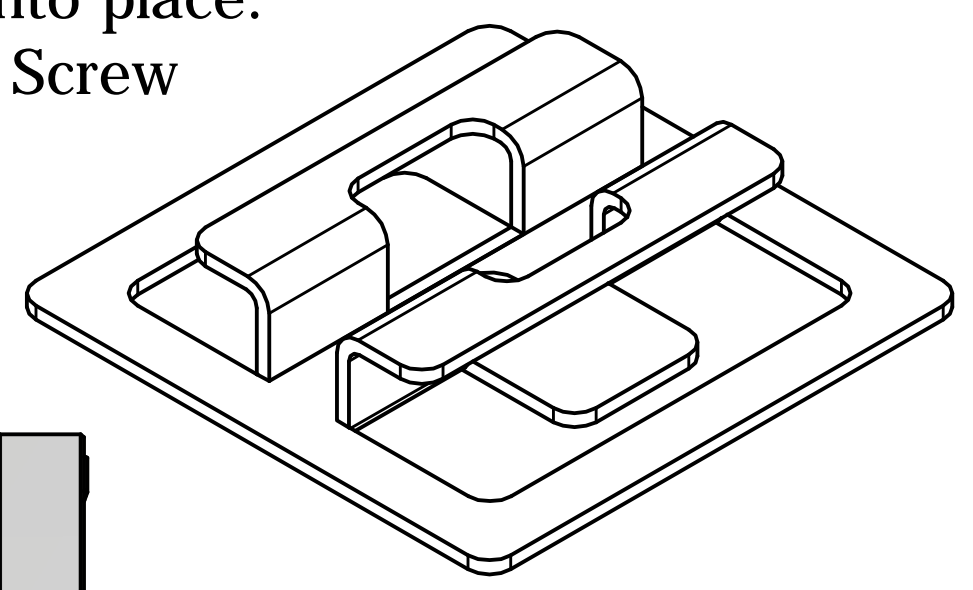
2

Slide 1st Deck Board into Starter Clip



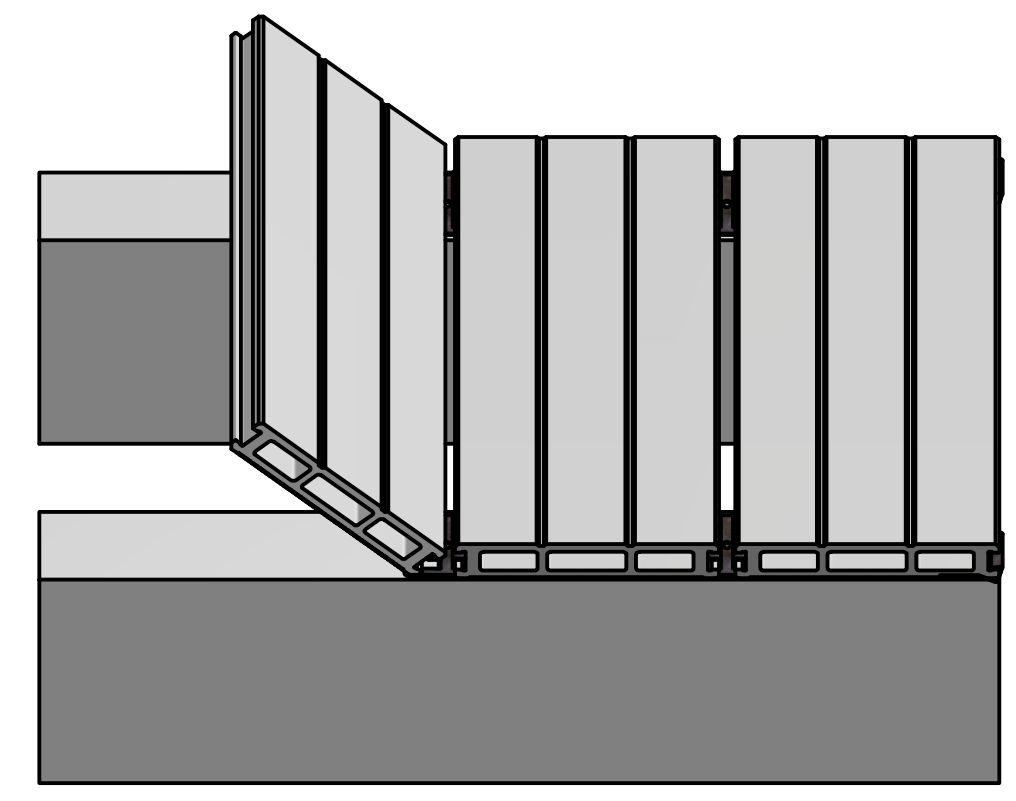
3

Slide the Intermediate Clip into place.
Fasten with #8x1.25" SS Screw



4

Slide next Deck Board into place at approximately
25° angle and press it into place.
Repeat steps 2 through 4 until
all Deck Board is place



DRAWN S Myers	11/20/2008	TECH-WOOD NA		
CHECKED		TITLE		
QA		Deck Board Installation Instructions		
MFG				
APPROVED		SIZE C	DWG NO 2	REV
		SCALE		SHEET 1 OF 1

Proprietary and Confidential
The information contained in this drawing is the sole
property of TECH-WOOD. Any reproduction in part or in whole
without written permission of TECH-WOOD is prohibited.